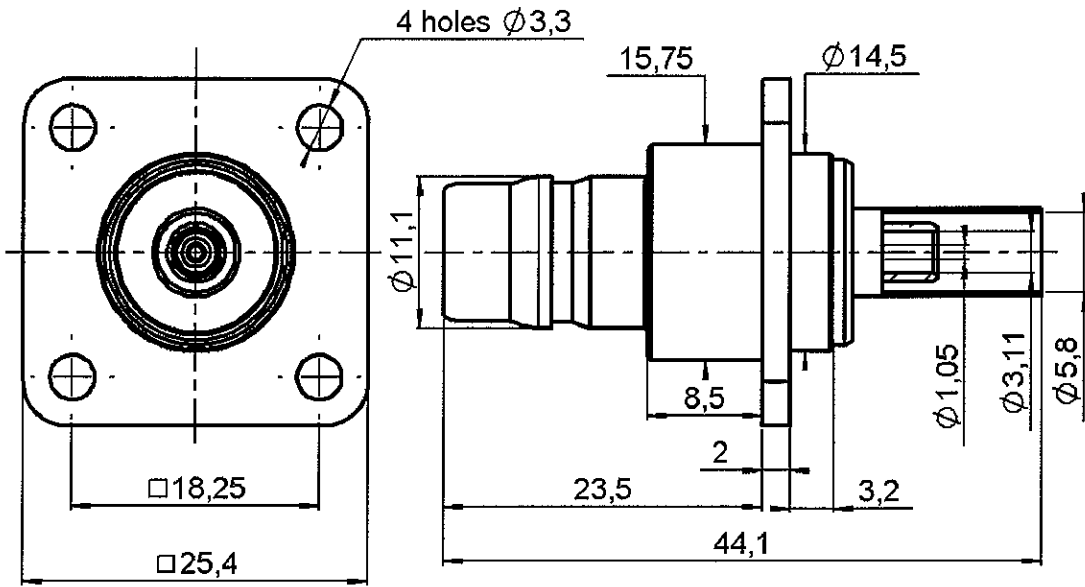


STRAIGHT FLANGE JACK CRIMP TYPE

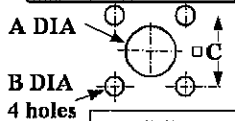
R164.283.000

CAB 5/50D

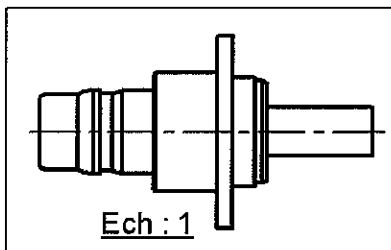
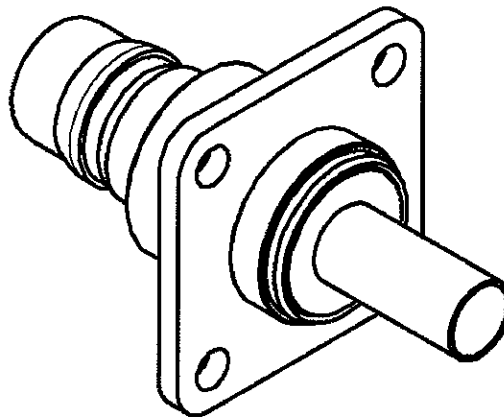
Series : QN



PANEL CUT OUT



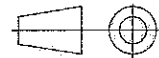
mm		
	Maxi	mini
A	16.3	16.1
B	3.3	3.2
C	18.35	18.15



Ech : 1



All dimensions are in mm.



COMPONENTS	MATERIALS	PLATINGS (µm)
BODY	BRASS	BBR 0.5 OVER SILVER 3
CENTER CONTACT	BERYLLIUM COPPER	SILVER 5 PASSIVATED OVER COPPER 0.5
OUTER CONTACT		
INSULATOR	PTFE	
GASKET	-	
OTHERS PARTS	BRASS	BBR 2
-	-	
-	-	

Issue : 0505 B

In the effort to improve our products, we reserve the right to make changes judged to be necessary.



STRAIGHT FLANGE JACK CRIMP TYPE

R164.283.000

CAB 5/50D

Series : QN

PACKAGING

Standard	Unit	Other
50	'W' option	Contact us

SPECIFICATION

ELECTRICAL CHARACTERISTICS

Impedance		50 Ω
Frequency		0-6* GHz
VSWR	1.05 +	0.025 x F(GHz) Maxi
Insertion loss		0.048 √F(GHz) dB Maxi
RF leakage	- (** - F(GHz)) dB Maxi
Voltage rating		850 Veff Maxi
Dielectric withstanding voltage		1500 Veff mini
Insulation resistance		5000 MΩ mini

CABLE ASSEMBLY

Stripping	a	b	c	d	e	f
mm	4.50	8.00	15.0	0.00	10.5	0.00

Assembly instruction : **Crimp 02**

Recommended cable(s)
 RG 142
 RG 142 FTX
 KX 23
 RG 400
 RG 223

Cable retention
 - pull off **200** N mini
 - torque **NA** N.cm

MECHANICAL CHARACTERISTICS

Center contact retention		
Axial force – Mating end	27	N mini
Axial force – Opposite end	27	N mini
Torque	NA	N.cm mini

TOOLING

Part Number	Description	Hexagon
.	.	.
R282.223.000	CRIMPING TOOL	1.73-5.41
R282.235.011	CRIMPING DIES	1.73-5.41
R282.293.000	CRIMPING TOOL	-

Recommended torque		
Mating	NA	N.cm
Panel nut	NA	N.cm
Clamp nut	NA	N.cm
A/F clamp nut	0.000	mm

OTHERS CHARACTERISTICS

* usable 0-11GHz
 ** Connector only : -90dB min DC<F<3GHz
 -80dB min 3<F<6GHz

ENVIRONMENTAL

Operating temperature	-55/+125	° C
Hermetic seal	NA	Atm.cm3/s
Panel leakage	-	

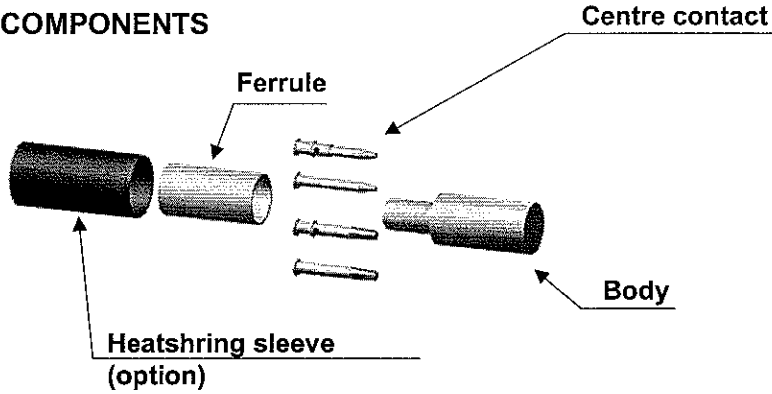
Issue : 0505 B

In the effort to improve our products, we reserve the right to make changes judged to be necessary.

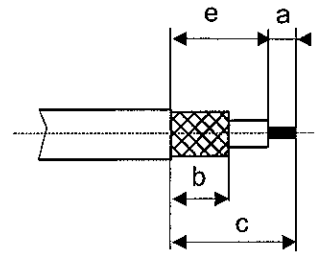


Crimp 02 : Full crimp

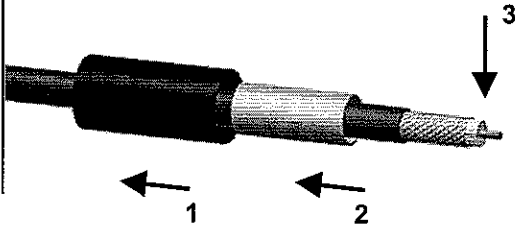
COMPONENTS



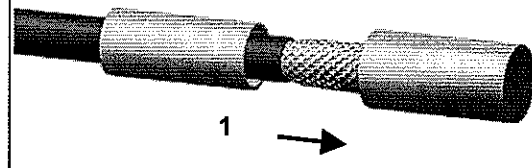
STRIPPING DIMENSIONS



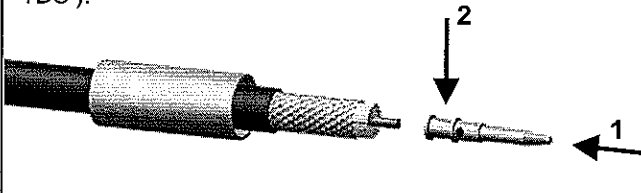
1
Slide the heatshrink sleeve onto the cable (Option).
Slide the ferrule onto the cable.
Strip the cable.



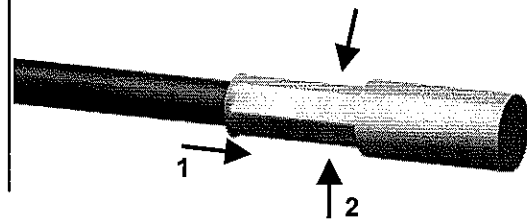
4
Slide the cable into the body until it bottoms against insulator.



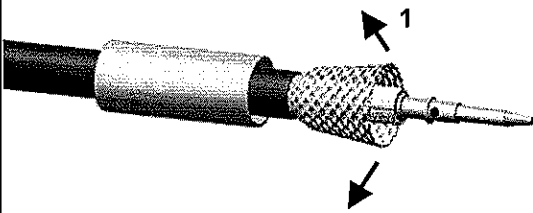
2
Slide the centre contact on until it bottoms against the cable dielectric.
Crimp the centre contact with crimping tool (see connector TDS).



5
Slide the ferrule over the braid.
Crimp the ferrule with crimping tool (see connector TDS).



3
Fan the braid.



6
Cut the excess of braid if necessary.
Slide the sleeve over the ferrule and heatshrink it in place (Option).

